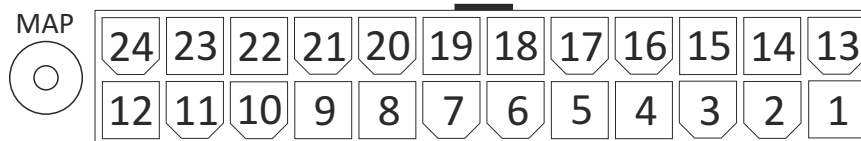
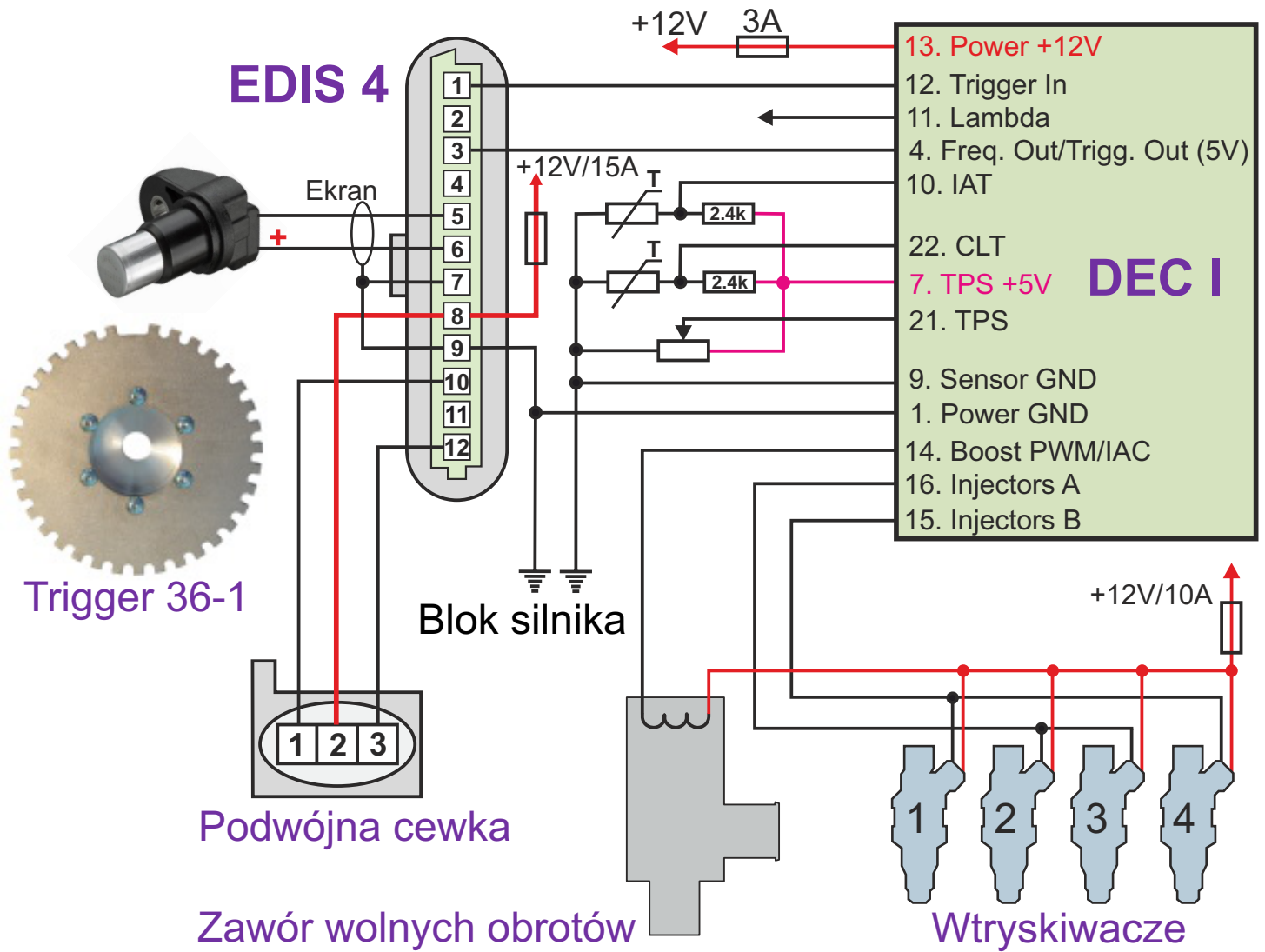


DIGITAL ECU CHEATER + EDIS = STANDALONE



- | | |
|------------------------------|-------------------------------|
| 1. Power GND | 13. +12V |
| 2. Pull Up +12V | 14. Boost PWM |
| 3. Not connected | 15. Injectors B |
| 4. Freq. out/Trigg. Out (5V) | 16. Injectors A |
| 5. ABS/VSS/Freq | 17. Unipolar Trigg. Out (12V) |
| 6. Bipolar Trigg. Out Inv. | 18. Bipolar Trigg. Out |
| 7. TPS +5V | 19. I/O #1 |
| 8. Analog In | 20. Analog Out |
| 9. Sensors GND | 21. TPS |
| 10. IAT | 22. CLT |
| 11. Lambda | 23. Analog AFR In |
| 12. Trigger In | 24. Not connected |