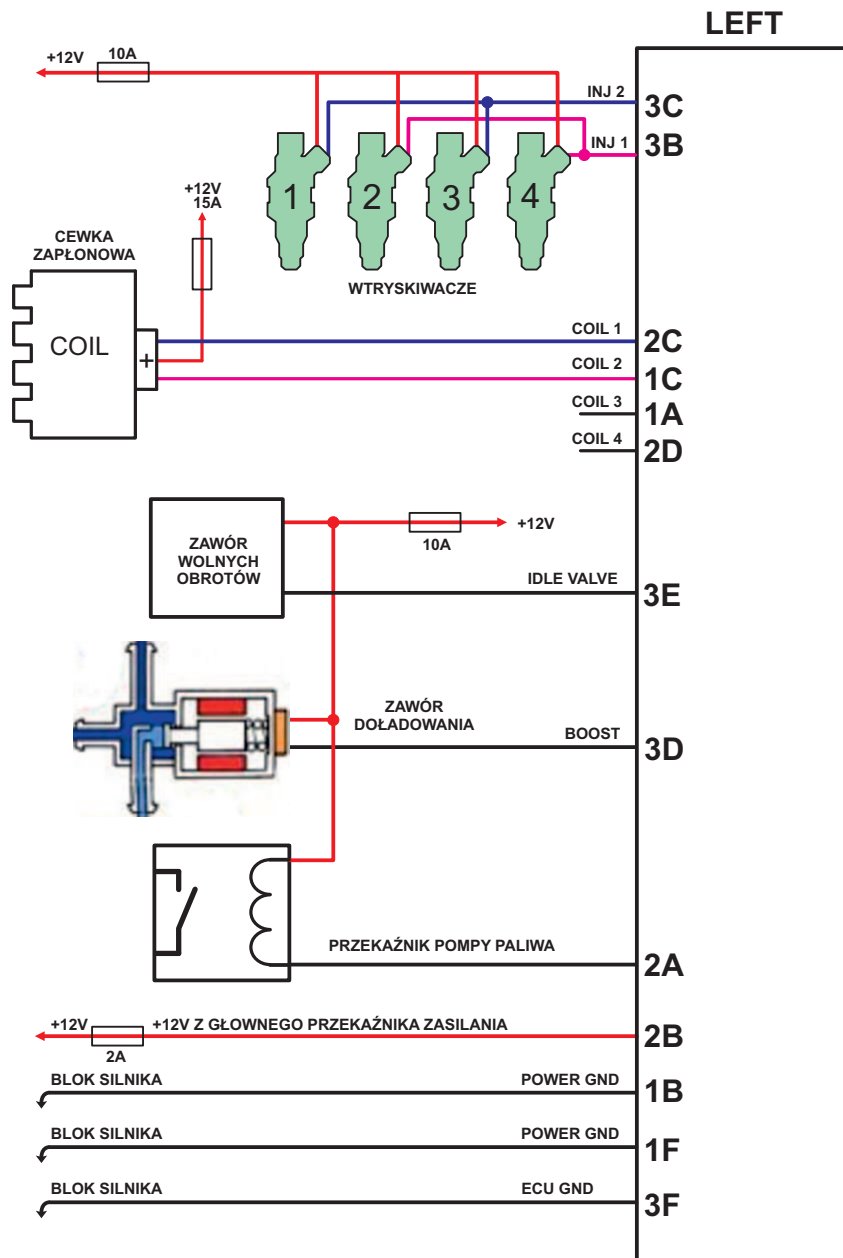
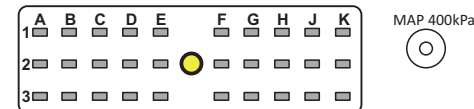
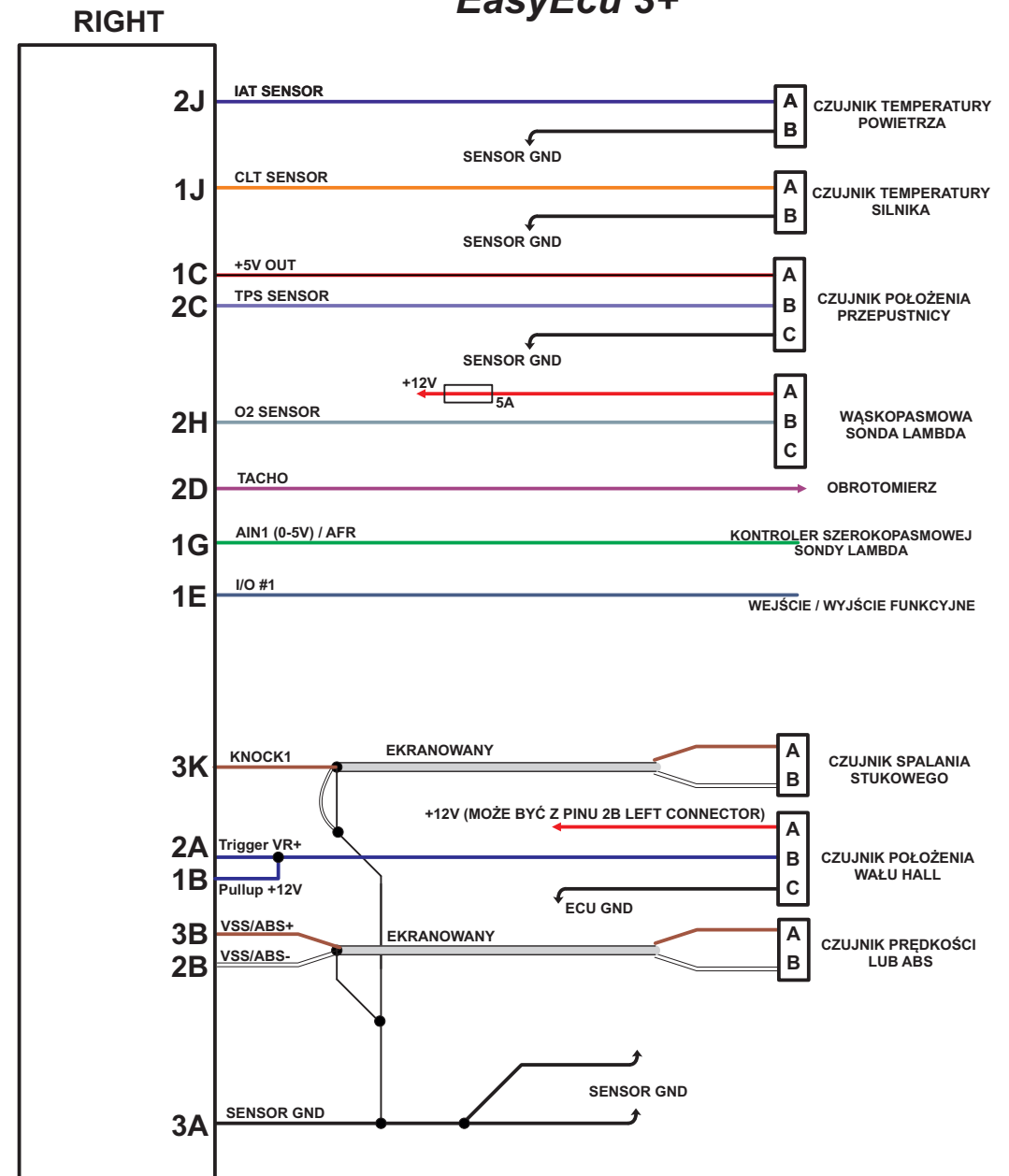
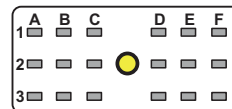


EasyEcu 3+



LEFT CONNECTOR (18PIN)



RIGHT CONNECTOR (30PIN)

CYLINDERS NO: 4
IGNITION TYPE: WASTED SPARK
INJECTION TYPE: TWO GROUPS
TRIGGER TYPE: MULTI TOOTH
TRIGGER SENSOR: HALL